

Date: 8.10.2024

Time: 20:40 hrs

Subject: BULLETIN NO: 1

Document No: 1.1

From: The Clerk of the Course

To: All competitors / crew members

Number of pages: 6 Attachments: 4 (9 pages)

APPROVED BY THE FIA - 8.10.2024

A) Amendments to the Supplementary Regulations of the Rally

1 INTRODUCTION

1.3 OVERALL SPECIAL STAGE DISTANCE AND RALLY TOTAL DISTANCE

Rally total distance: ~~1585,66~~ **1584,44** km

2 ORGANISATION

2.7 SENIOR OFFICIALS

Deputy Chief Safety Officers:

~~Martin DOHR~~

Competitor Relations Officers:

Roman ŠVEC (Phone +420 774 042 400)

3 PROGRAMME AND CRITICAL DEADLINES

3.2 SCHEDULE DURING THE RALLY WEEK

MONDAY, 14 OCTOBER 2024		
16:00 - 16:30	Media Pen with T. Neuville, R. Millener and K. Lindström	Beckenbauer Golf Course
18:30 - 19:45	First-on-Scene Briefing for all P2 crews & crews No. 9 and 19	"Das Ludwig", Bad Griesbach
THURSDAY, 17 OCTOBER 2024		
09:01 - 10:30 09:31 - 11:00	Shakedown for P1 and invited drivers	Czech Republic
10:31 - 11:00	Shakedown for P1 and P2 drivers	Czech Republic
11:01 - 12:00	Shakedown for P2 drivers	Czech Republic
11:00 - 12:00	FIA WRC Media Pen for P1/P2 drivers and P1 Team Principals	Shakedown remote service, Velká Chuchle
13:00 - 13:30	Autograph session for selected crews: all P1 crews and crew of car #30 (Mareš/Bucha)	Prag Castle, Ceremonial Start
13:20 - 14:00	FIA WRC Meet the Crews live interviews for selected competitors (crews in overalls):	Prag Castle, Ceremonial Start
13:20 - 13:30	46 Baudet, 47 Jyrkiäinen, 48 Schönborn	
13:30 - 13:40	21 Rossel, 22 Gryazin, 30 Mareš, 40 Kohn	
13:40 - 13:50	P1 Team Principals C. Abiteboul, J-M. Latvala, R. Millener	
13:50 - 14:00	11 Neuville and Wydaeghe, 17 Ogier, 16 Fourmaux	

6 ADVERTISING AND IDENTIFICATION

6.2 OPTIONAL ADVERTISING (also Appendix 4)

There will be no Organisers optional advertising.

7 TYRES

7.2 TYRE QUANTITIES FOR USE DURING THE RALLY

In the table, 1st choice is corrected to **Soft**, 2nd choice is corrected to **Hard** as in Art. 7.1.

8 FUEL

8.5 LOCATIONS OF REFUEL DURING RALLY (add)

The Remote Refuel Chuchle is open from 08:45 – 14:00h for all cars on Thursday, 17 October 2024 during Shakedown and before Ceremonial Start.

9 RECONNAISSANCE

9.5 PARTICIPATION IN RECONNAISSANCE ONLY (add)

All reconnaissance only drivers must also equip their reconnaissance car with the smartphone-based application RS Lite (see Article 9.3 Supplementary Regulations).

Yuki YAMAMOTO, Hikaru KOGURE, Takumi MATSUSHITA, Shotaro GOTO and Georgios VASILAKIS will be included in Recce Group 1.

Romet JÜRGENSON and Max SMART will be included in Recce Group 2.

10 ADMINISTRATIVE CHECKS

10.3 TIMETABLE

Individual times for administrative checks at the Rally HQ are as follows:

Monday 14 October 2024

Time	Comp. No.	Time	Comp. No.
14:00	20, 23, 25	17:00	24, 53
14:20	28, 29	17:20	36, 37
14:40	30, 32	17:40	5, 17, 18, 33
15:00	34, 35	18:00	8, 9, 11
15:20	38, 39	18:20	13, 16, 19, 26
15:40	41, 43	18:40	40, 44
16:00	21, 22	19:00	46, 47, 48
16:20	45, 50	19:20	54, 55
16:40	51, 52	19:40	27, 31

11 SCRUTINEERING, SEALING AND MARKING

11.1 SCRUTINEERING VENUE AND TIMETABLE

Sealing for Rally1 cars on Wednesday 16 October 2024 in the Service Park as follows:

	Time	Cars No.
HYUNDAI SHELL MOBIS WORLD RALLY TEAM	07:30 - 08:15	8, 9, 11
TOYOTA GAZOO RACING WRT	08:15 - 09:15	5, 17, 18, 33
M-SPORT FORD WORLD RALLY TEAM	09:15 - 10:00	13, 16, 19

Scales available at the technical zone on Wednesday 16 October from 10:00 to 10:30.

All other cars: in the Service Park on Wednesday 16 October as follows:

Time	Cars No.	Time	Cars No.
12:00 - 12:30	26, 30, 50	15:00 - 15:30	21, 22, 38
12:30 - 13:00	20, 23, 51	15:30 - 16:00	32, 36, 43
13:00 - 13:30	24, 25, 52	16:00 - 16:30	37, 39, 40
13:30 - 14:00	27, 28, 53	16:30 - 17:00	41, 44, 45
14:00 - 14:30	29, 31, 54	17:00 - 17:30	46, 47, 48
14:30 - 15:00	34, 35, 55		

11.10 HYBRID DETAILS

Reference version of HY documentation and user guide is updated as follows:

WRC-H-Documentation_20240904_RaceSystems.7z

Shakedown distance is corrected to **2,11** km, the boost value is not affected.

12 OTHER PROCEDURES

12.2 SHAKEDOWN (amend)

All P1 and other invited drivers are required to complete their first passage (2024 FIA WRC Sporting Regulations, Art. 36.2.2) of Shakedown in order of the current Championship classification (P1 drivers) according to the start list which will be published on Wednesday, 16 October 2024 at 19:00 and at an interval defined by the Clerk of the Course in consultation with the FIA and WRC Promoter. At the conclusion of these fixed passages, P1 and invited drivers will be able to continue their Shakedown runs with one (1) minute intervals.

P1 drivers shall complete a minimum of two (2) passages in total of the Shakedown stage, **including one run with a passenger if required by the WRC Promoter.**

~~P2 drivers shall complete a minimum of one (1) and a maximum of three (3) passages in total of the Shakedown stage.~~ **For P2 drivers the participation in shakedown is optional. They are allowed a maximum of two (2) passages in total of the Shakedown stage.**

Notwithstanding Arts. 36.2.3 and 36.2.4 of the 2024 FIA WRC Sporting Regulations, P3 and non-priority drivers are not allowed to drive the Shakedown.

Schedule:

Thursday, 17 October 2024

~~09:01-10:30~~ **09:31-11:00** P1 and other invited drivers

~~10:31-11:00~~ ~~P1 and P2 Drivers~~

11:01-12:00 P2 drivers

Location: Točná

Length of the actual Shakedown stage: ~~2,05~~ **2,11** km.

A Remote Service Area will be created ~~close to the Shakedown~~ **in Velká Chuchle. All competitors are permitted to have one (1) service vehicle per crew attending this location and these vehicles must not exceed a length of 7 metres.**

All competitors will have a service area of 60 m² per car. Ground sheets must be used and refueling is not permitted at this location.

Any service of rally cars outside this Remote Service Area is strictly forbidden.

The Remote Service Area is open for set-up and unloading the rally cars on Wednesday, 16 October 2024, 17:00 – 23:00 and on Thursday, 17 October 2024 from 06:00.

Refuelling will be available ~~at~~ **close to** the Shakedown Service Area.

Reconnaissance of the Shakedown stage will be included in the Reconnaissance Schedule for Group 1 only.

12.4 CEREMONIAL START PROCEDURE AND ORDER

12.4.1 “Paddocks Velká Chuchle” Prague

....

All rally cars will be assembled and lined up at the exit of “Paddocks Velká Chuchle” from where they will be **released** ~~guided~~ in groups to the ceremonial start (Prague Castle – see 12.4.2, distance: approx. 15 km).

...

ADD:

Time schedule for the groups of convoys for all cars from “Paddocks Velká Chuchle” (see also Road Book 1, page 1-17) to the ceremonial start Podium Hradčany:

Convoy no.	Positions on ceremonial start list	Convoy departure time “Velká Chuchle”	Approx. arrival time holding area Podium Hradčany
1	1 st , 2 nd , 3 rd , 4 th (P1)	12:20	12:40
2	5 th , 6 th , 7 th (P1) + car No. 30	12:25	12:45
3	8 th , 9 th , 10 th (P1) + cars No. 46, 47 and 48	12:30	12:50
4	cars No. 21, 22 and 40	12:35	12:55
5	11 th , 12 th , 13 th , 14 th , 15 th	13:30	13:50
6	16 th , 17 th , 18 th , 19 th , 20 th	13:40	14:00

And so on, all remaining cars must enter the holding area Velká Chuchle as per Art. 12.4.1 Supplementary Regulations.
Each subsequent convoy will be made up of next **5 cars** on the ceremonial start list until the last car, departures of the convoys in **10 minutes intervals**.

12.13 REMOTE SERVICE ZONE (RSZ) (amend and add)

A Remote Service Zone will be organized in Janovice. The layout of the Zone will be included in Rally Guide 2.

The Remote Service Zone in Janovice is open for set-up on Thursday, 17 October 2024 from 15:00 – 21:00 and on Friday, 18 October 2024 from 05:30 – 06:00. After 6:00hrs on Friday service cars can only enter the RSZ car park but not the main service area.

Each ~~competitor~~ **crew** may have one (1) small vehicle (estate/van) and three (3) members allowed to help the crew.

The prescribed service area per car is 8x8 metres. Service and service vehicle must fit within this area. If multiple cars are serviced by one team, a larger service vehicle can be used as long as the total area required does not exceed 64 square metres per serviced vehicle.

12.13.1 WORK, TOOLS AND SPARE PARTS ALLOWED IN THE REMOTE SERVICE ZONE (new article)

Any work within the Remote Service Zone may only be performed by the crew alone plus three team members per crew, but only using equipment or parts and tools carried on board the competing car and the following items which may be brought by team members:

- tyres
- laptop computer
- an extra car jack
- two lifting ramps
- four axle stands
- shock absorbers
- suspension springs
- steering arms
- suspension arms/ hub-carriers / connecting parts between the hubcarrier and the wishbone / connecting parts between the rear hubcarrier and the toe-link / connecting parts between the hubcarrier and the McPherson strut assembly
- steering brackets (fitted on hubcarrier)
- transversal driveshafts
- sensors
- screws, nuts and bolts
- consumables (plain water, lubrication and cooling liquids, air canisters for adjusting tyre pressure)
- wheel nut spanners, torque wrench and hand tools
- the use of battery-operated tools including any necessary lighting is allowed
- the addition of plain water to the car systems for which a filling device may be used
- the use of brake bleeding and car cleaning equipment/material

Ground sheets must be used. Spare parts installed inside Rally Cars / Manufacturers' cars: must be in compliance with article 17.9, no modification is allowed at the Remote Service Zone.

12.20 CHICANES

12.20.1 VIRTUAL CHICANES (new article)

Virtual Chicanes will be set up in the locations given in the Road Book on SS9/12 Granit und Wald and SS15/17 KNAUS TABBERT Am Hochwald. A test for the virtual chicane will be set up at on the road section from SS1 to SS2 as given in the Road Book.

There will be approach warning signs 300, 200 and 100 metres before the area starts. The SAS Tracking Unit will also be showing the distance to the start. The start and finish of the 150-metres long chicane area will also be marked on the road side during the reconnaissance and during the rally.

Within these 150 metres, the speed of the rally car must go down to a maximum of 50 kph. This will be shown by the SAS Tracking Unit, which screen show the speed and turns green once the target speed has been reached. There is a radar unit operated by judges of fact as back up. Once the target speed has been reached, the car may accelerate again. This target speed must be reached at any point within the area, so braking may start before the area.


Should the speed not be reached, the crew will be penalised with a time penalty of 2 seconds per each kph over the limit. The time penalty is added to the stage time and notified to the crew by the Clerk of the Course.

APPENDIX 1 – Itinerary

The Itinerary has been amended, new itinerary in **Attachment 1**.

B) Amendments to the Road Book

- Shakedown refuel zone is relocated, amended Road Book page in **Attachment 2**.
- Road Section from TC 1B to TC 2 has been changed, new distance is 3,18 km, target time remains unchanged. Amended Road Book pages in **Attachment 3**.
- Road Section from TC 2D to TC 3 has been changed, new distance is 14,54 km, target time remains unchanged. Amended Road Book pages in **Attachment 4**.


Andreas Dinzinger
Clerk of the Course

Bulletin 1, Attachment 1
Shakedown (Sunrise: 7:28, Sunset: 18:06) Thursday, 17 October 2024

TC/ SS	LOCATION	SD dist.	Liaison dist.	Total dist.	Target time	1st car due
	Velká Chuchle					
TC SD	Technical Zone		12,62	12,62		9:26
SD	Shakedown Točná	2,11				9:31
	<i>09:31 - 11:00 - P1 and invited P2 competitors</i>					
	<i>11:01 - 12:00 - P2 competitors</i>					
	Remote Refuel FIA Fuel (Chuchle - Distance to next refuel	5,5 km after finish SD)				
	Velká Chuchle Shakedown Service		8,05	10,16		
SHAKEDOWN TOTALS		2,11	20,67	22,78		

SHAKEDOWN

Start Section 1, 2 (Sunrise: 7:31, Sunset: 18:11) Thursday 17 October 2024

TC/ SS	LOCATION	SS dist.	Liaison dist.	Total dist.	Target time	1st car due
CS	Podium Hradčany					14:00
	Holding Area Velká Chuchle IN		16,58	16,58		
0	Holding Area Velká Chuchle OUT					14:52
1	Velká Chuchle		0,90	0,90	0:10	15:02
SS 1	SSS Velká Chuchle	2,55				15:05
RZ	Remote Refuel FIA Fuel (Švihov - Distance to next refuel	124,26 km after finish SS 1) (11,78)	(35,16)	(46,94)		
1 A	Regroup Klatovy IN (Early Check-In permitted)		135,09	137,64	2:25	17:30
1 B	Regroup OUT				0:40	18:10
2	Klatovy		3,18	3,18	0:12	18:22
SS 2	Klatovy 1	11,78				18:26
2 A	Techn. Zone & Overnight PF Klatovy IN (Early check-in permitted)		9,71	21,49	0:30	18:56
THURSDAY TOTALS		14,33	148,88	163,21		

SECTION 1

SECTION 2

V4 - 8.10.2024

Re-Start Sections 3, 4 (Sunrise: 7:32, Sunset: 18:11)							Friday 18 October 2024
TC/ SS	LOCATION	SS dist.	Liaison dist.	Total dist.	Target time	1st car due	
2 B	Parc fermé Klatovy OUT					6:45	
2 C	RSZ IN (Janovice nad Úhlavou)		11,44	11,44	0:15	7:00	
RSZ (Janovice nad Úhlavou)		(14,33)	(160,32)	(174,65)	0:30		
2 D	RSZ OUT					7:30	
RZ	Remote Refuel FIA Fuel (Janovice)						
2	Distance to next refuel	(38,47)	(89,35)	(127,82)			
3	Klatovy		14,54	14,54	0:28	7:58	
SS 3	Klatovy 2	11,78				8:02	
4	Strašín		59,70	71,48	1:26	9:28	
SS 4	Strašín 1	26,69				9:32	
RZ	Remote Refuel FIA Fuel (Čkyně -		15,11 km after finish SS 4)				
3	Distance to next refuel	(28,63)	(135,17)	(163,80)			
5	Šumavské Hoštice		27,91	54,60	1:06	10:38	
SS 5	Šumavské Hoštice 1	16,85				10:42	
PC	Passage Control - Prachatice		(11,90)				
6	Klatovy		98,97	115,82	2:25	13:07	
SS 6	Klatovy 3	11,78				13:11	
6 A	Regroup & Technical Zone Janovice IN		23,40	35,18	0:47	13:58	
6 B	Regroup & Technical Zone OUT / RSZ IN				0:30	14:28	
RSZ (Janovice nad Úhlavou)		(67,10)	(224,52)	(291,62)	0:30		
6 C	RSZ OUT					14:58	
RZ	Remote Refuel FIA Fuel (Janovice)						
4	Distance to next refuel	(26,69)	(73,74)	(100,43)			
7	Strašín		58,63	58,63	1:12	16:10	
SS 7	Strašín 2	26,69				16:14	
RZ	Remote Refuel FIA Fuel (Čkyně -		15,11 km after finish SS 7)				
5	Distance to next refuel	(16,85)	(146,35)	(163,20)			
8	Šumavské Hoštice		27,91	54,60	1:06	17:20	
SS 8	Šumavské Hoštice 2	16,85				17:24	
8 A	Parc fermé & Technical Zone IN		133,55	150,40	2:40	20:04	
8 B	Parc fermé OUT / Flexi Service IN			(min.)	0:10		
Flexi Service A (Karpfham)		(43,54)	(220,09)	(263,63)	0:45		
8 C	Flexi Service OUT / Overnight Parc fermé IN (Early check-in permitted)						
<i>All cars (except P1 cars and restarting cars) must be returned to Parc fermé no later than</i>						23:59	
FRIDAY TOTALS		110,64	456,05	566,69			

SECTION 3

SECTION 4

V4 - 8.10.2024

Bulletin 1, Attachment 1

Re-Start Sections 5, 6 (Sunrise: 7:34, Sunset: 18:09)							Saturday 19 October 2024	
TC/ SS	LOCATION	SS dist.	Liaison dist.	Total dist.	Target time	1st car due		
8 D	Parc fermé OUT / Service IN					6:05	SECTION 5	
	Service B (Karpfham)	(0,00)	(0,00)	(0,00)	0:15			
8 E	Service OUT					6:20		
RZ 6	Refuel FIA Fuel Distance to next refuel	(20,05)	(108,54)	(128,59)				
9	Hauzenberg		82,81	82,81	1:34	7:54		
SS 9	Granit und Wald 1	20,05				7:58		
RZ 7	Remote Refuel FIA Fuel (Wegscheid - Distance to next refuel	25,73 km after finish SS 9) (41,68)	(84,70)	(126,38)				
10	Wegscheid		30,93	50,98	1:00	8:58		
SS 10	Beyond Borders 1 (Live TV)	24,33				9:05		
11	Vichtenstein		49,09	73,42	1:25	10:30		
SS 11	Schärdinger Innviertel 1	17,35				10:34		
11 A	Regroup & Technical Zone IN		30,41	47,76	1:06	11:40		
11 B	Regroup & Technical Zone OUT / Service IN				0:30	12:10		
	Service C (Karpfham)	(61,73)	(193,24)	(254,97)	0:40			
11 C	Service OUT					12:50	SECTION 6	
RZ 8	Refuel FIA Fuel Distance to next refuel	(20,05)	(108,54)	(128,59)				
12	Hauzenberg		82,81	82,81	1:34	14:24		
SS 12	Granit und Wald 2	20,05				14:28		
RZ 9	Remote Refuel FIA Fuel (Wegscheid - Distance to next refuel	25,73 km after finish SS 12) (41,68)	(84,70)	(126,38)				
13	Wegscheid		30,93	50,98	1:00	15:28		
SS 13	Beyond Borders 2 (Live TV)	24,33				15:35		
14	Vichtenstein		49,09	73,42	1:25	17:00		
SS 14	Schärdinger Innviertel 2	17,35				17:04		
14 A	Parc fermé & Technical Zone IN		30,41	47,76	1:06	18:10		
14 B	Parc fermé OUT / Flexi Service IN			(min.)	0:10			
	Flexi Service D (Karpfham)	(61,73)	(193,24)	(254,97)	0:45			
14 C	Flexi Service OUT / Overnight Parc fermé IN <i>(Early check-in permitted)</i>							
	<i>All cars (except P1 cars and restarting cars) must be returned to Parc fermé no later than</i>					22:05		
SATURDAY TOTALS		123,46	386,48	509,94				

V4 - 8.10.2024

Bulletin 1, Attachment 1

Re-Start Sections 7, 8, 9 (Sunrise: 07:35, Sunset: 18:07) Sunday 20 October 2024

TC/ SS	LOCATION	SS dist.	Liaison dist.	Total dist.	Target time	1st car due
14 D	Parc fermé OUT / Service IN					7:05
	Service E (Karpfham)	(0,00)	(0,00)	(0,00)	0:15	
14 E	Service OUT					7:20
RZ	Refuel FIA Fuel					
10	Distance to next refuel	(12,17)	(103,99)	(116,16)		
15	Jandelsbrunn		91,04	91,04	1:47	9:07
SS 15	KNAUS TABBERT Am Hochwald 1	12,17				9:11
RZ	Remote Refuel FIA Fuel (Waldkirchen -		12,95 km after finish SS 15)			
11	Distance to next refuel	(27,04)	(65,72)	(92,76)		
15 A	Regroup Waldkirchen IN		12,97	25,14	0:33	9:44
15 B	Regroup Waldkirchen OUT				0:22	10:06
16	Breitenberg		18,56	18,56	0:25	10:31
SS 16	Passauer Land 1 (Live TV)	14,87				10:35
17	Jandelsbrunn		34,19	49,06	0:54	11:29
SS 17	KNAUS TABBERT Am Hochwald 2	12,17				11:33
RZ	Remote Refuel FIA Fuel (Waldkirchen -		12,95 km after finish SS 17)			
12	Distance to Finish	(14,87)	(120,81)	(135,68)		
17 A	Regroup Waldkirchen IN		12,97	25,14	0:33	12:06
17 B	Regroup Waldkirchen OUT				0:40	12:46
18	Breitenberg		18,56	18,56	0:25	13:11
SS 18	Wolf Powerstage Passauer Land 2 (Live TV)	14,87				13:15
18 A	Podium Holding Area IN (Early Check-In permitted)		67,20	82,07	1:45	15:00
	PODIUM PASSAU					15:30
	Rally Finish - Parc fermé IN		35,03	35,03	0:45	

SECTION 7

SECTION 8

SECTION 9

SUNDAY TOTALS	54,08	290,52	344,60
----------------------	--------------	---------------	---------------

TOTALS OF THE RALLY				
	SS	Liaison	Total	* %
Thursday (Section 1, 2) - 2 SS	14,33	148,88	163,21	8,8
Friday (Sections 3, 4) - 6 SS	110,64	456,05	566,69	19,5
Saturday (Sections 5, 6) - 6 SS	123,46	386,48	509,94	24,2
Sunday (Sections 7, 8, 9) - 4 SS	54,08	290,52	344,60	15,7
TOTAL	302,51	1281,93	1584,44	19,1





V4 - 8.10.2024

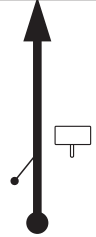

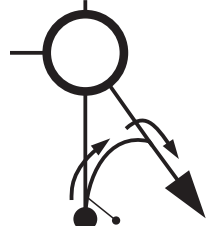
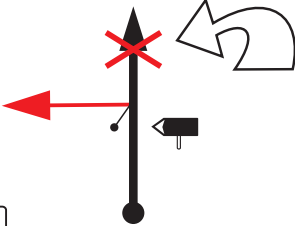

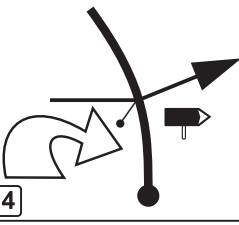

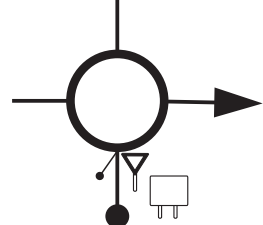
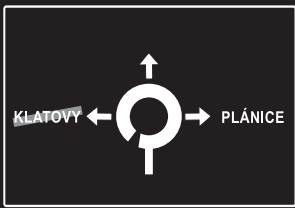
Bulletin 1, Attachment 2



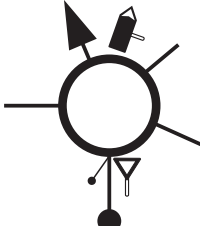





CENTRAL EUROPEAN RALLY				17 - 20 October 2024	
TC Shakedown Točná		DISTANCE:		Thursday	
TC Velká Chuchle		10,16 km		SECTION:	
		AVERAGE		TIME ALLOWED:	
DISTANCE		DIRECTION	INFORMATION	DISTANCE REGRESS.	
TOTAL	PARTIAL				
7,66	0,96	<p>15</p>	<p>2,50</p>		
8,05	0,39	<p>16</p>	<p>2,11</p>		
8,30	0,25	<p>17</p>	<p>1,86</p>		
10,01	1,71	<p>18</p>	<p>0,15</p>		

next box in 0,15 km

CENTRAL EUROPEAN RALLY			3,18 km	17 - 20 October 2024	
TC	1B	Regroup (Klatovy)	DISTANCE:	Thursday	
TC	2	Klatovy	4,30 km	SECTION: 2	
			AVERAGE	TIME ALLOWED:	
			15,90 km/h	21,50 km/h	12 min
DISTANCE		DIRECTION	INFORMATION	DISTANCE REGRESS.	
TOTAL	PARTIAL				
0,95	0,35	 6		2,23	
1,04	0,09	 7		2,14	
2,30	1,26	 8		0,88	
2,41	0,11	 9		0,77	
2,64	0,23	 10		0,54	

CENTRAL EUROPEAN RALLY			3,18 km	17 - 20 October 2024	
TC	1B	Regroup (Klatovy)	DISTANCE:	Thursday	
TC	2	Klatovy	4,30 km	SECTION:	2
			AVERAGE	TIME ALLOWED:	
15,90 km/h			21,50 km/h	12 min	
DISTANCE		DIRECTION	INFORMATION	DISTANCE REGRESS.	
TOTAL	PARTIAL				
4,30	0,52	 8 11	   TC 2 KLATOVY N - 49° 23,842' E - 13° 19,335' (0,53) R B 10	0,00	
3,18	0,54				

CENTRAL EUROPEAN RALLY			14,54 km	17 - 20 October 2024	
TC	2D	RSZ (Janovice nad Úhlavou)	DISTANCE:	Friday	
TC	3	Klatovy	15,02 km	SECTION: 3	
			AVERAGE	TIME ALLOWED:	
			31,16 km/h	33,47 km/h	
				28 min	
DISTANCE		DIRECTION	INFORMATION	DISTANCE REGRESS.	
TOTAL	PARTIAL				
11,60	0,12	 11		4,02	2,94
11,96	0,36	 12		3,66	2,58
12,31	0,35	 13			2,23
12,40	0,09	 14			2,14
13,66	1,26	 15			0,88

CENTRAL EUROPEAN RALLY			14,54 km	17 - 20 October 2024	
TC	2D	RSZ (Janovice nad Úhlavou)	DISTANCE:	Friday	
TC	3	Klatovy	15,02 km	SECTION: 3	
			AVERAGE	TIME ALLOWED:	
			33,47 km/h	28 min	
			31,16 km/h		
DISTANCE		DIRECTION	INFORMATION	DISTANCE REGRESS.	
TOTAL	PARTIAL				
13,77	0,11	 16		0,77	
14,00	0,23	 17		0,54	
15,02 14,54	0,52 0,54	 15 18	   N - 49° 23,842' E - 13° 19,335' (0,53)	0,00	